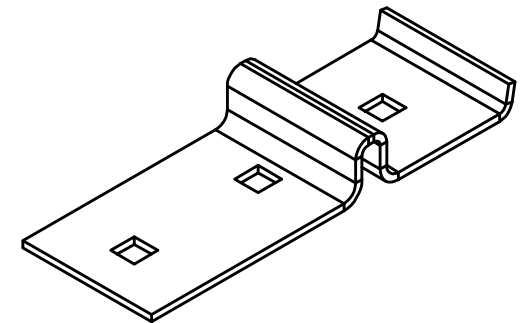


Surface treatment	
Ref	Treatment
HDKIPE	Hot-dip



**NOT FOR PRODUCTION**

Ref.	HDDKIPE	Name			<b>VERGOKAN</b> Meersbloem Melden 16    Tel: 055/31.83.35 9700 Oudenaarde        Fax: 055/31.43.88	Scale:	Adapt drawing exclusively with CAD	MONT
Drawn	Kurt Van Campenhout	Dwarskoppelplaat IPN_IPE 80 SL				DRAWING NUMBER		
Date	8/04/1998	[HDDKIPE]					44069	A4
Material:	Tolerance:	Standard:	I.S.O. SYMBOL					P. 4
STW 22	ISO 2768-1 (see table)							4 P.