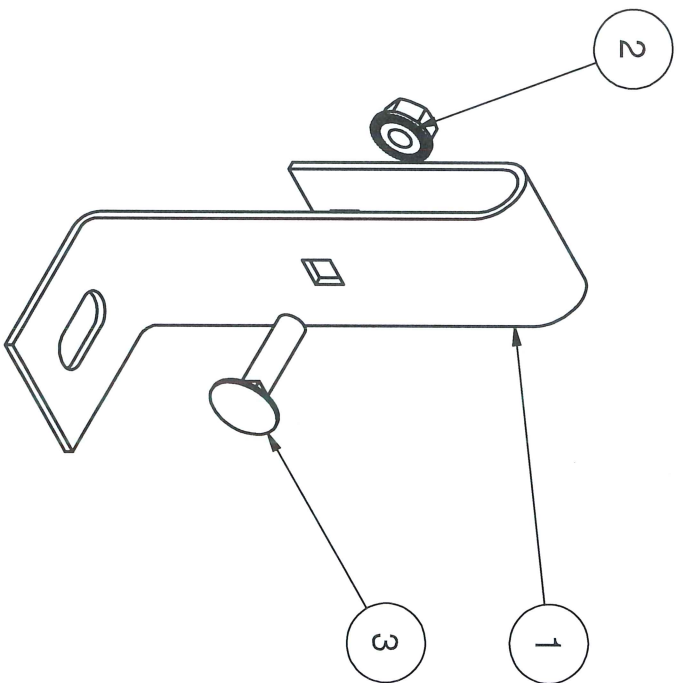
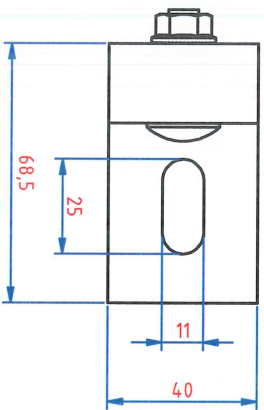
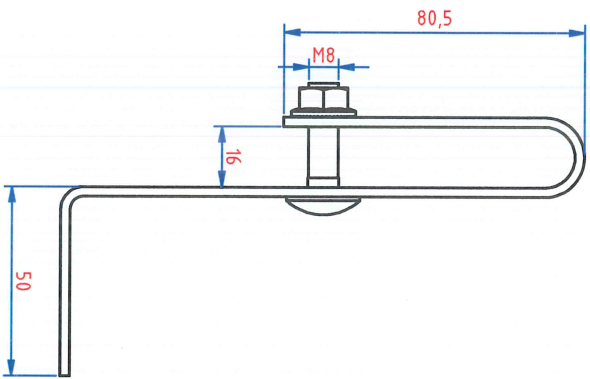
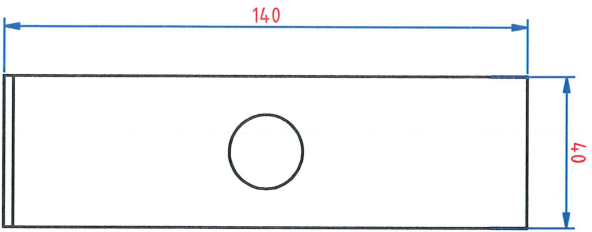



1	1	CS 13 022	[ZVK3 RFK]	Afstandsbeugel voor KS
2	1	HDRM 8	[HDRM8]	Zeskant flensmoer met verfranding
3	1	HDRBK8.30	[HDRBK8.30]	Rondbolkopbout met kraag
Item	qty	drawing	reference	description
Parts list				



**RFK ARTICLE
NOT FOR PRODUCTION**

Number	Edition	Description of the modification	Date	By
0				

Ref.:	VK3:RFK	Name	Afstandsbeugel voor KS, H = 14,0	
Drawn	ed		[HDVK3.01RFK]	
Date	11/09/2013			
Material:		Tolerance:		
1:0037 (Hot-dip)		Standard:	I.S.O. SYMBOL	

Number: Edition		Description of the modification		Date		By	
Scale:		Adapt drawing exclusively with CAD		FORM		P. 4	
1 : 2				DRAWING NUMBER		4. P.	
Meersloem Malden 16		Tel: 055/31.83.35		CS 13 022			
9700 Oudenaarde		Fax: 055/31.43.88					

VERGOKAN