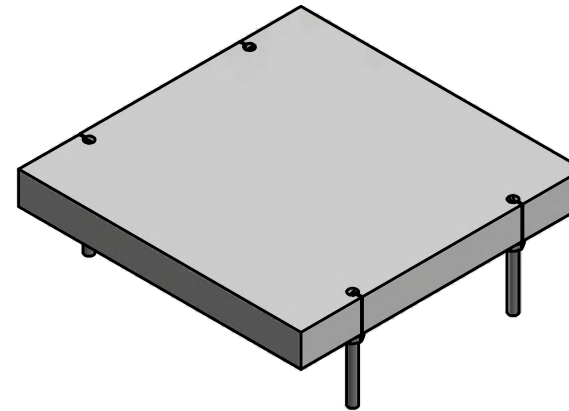
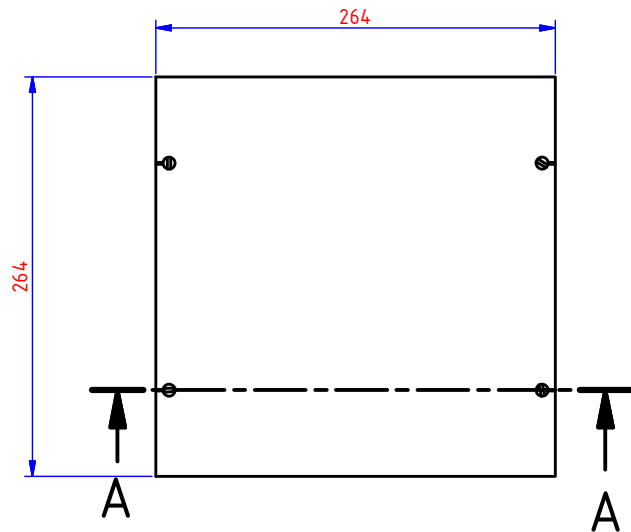
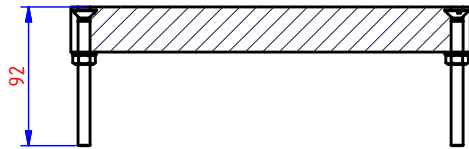


A-A (1 : 5)



NOT FOR PRODUCTION

(X.X) = Inspection Dimension

Ref.	VEVP3	Name	Form element V3 polished concrete [VEVP3]	
Drawn	lambered			
Date	10/06/2016			
Material:	Tolerance:	Standard:	I.S.O. SYMBOL	
-	ISO 2768-1 (see table)			

Number	Edition	Description of the modification	Date	By

VERGOKAN	Scale:	Adapt drawing exclusively with CAD	FORM A4	P. 1
	1 : 5			
Meersbloem Melden 16 9700 Oudenaarde	Tel: 055/31.83.35 Fax: 055/31.43.88	DRAWING NUMBER 46064		1 P.