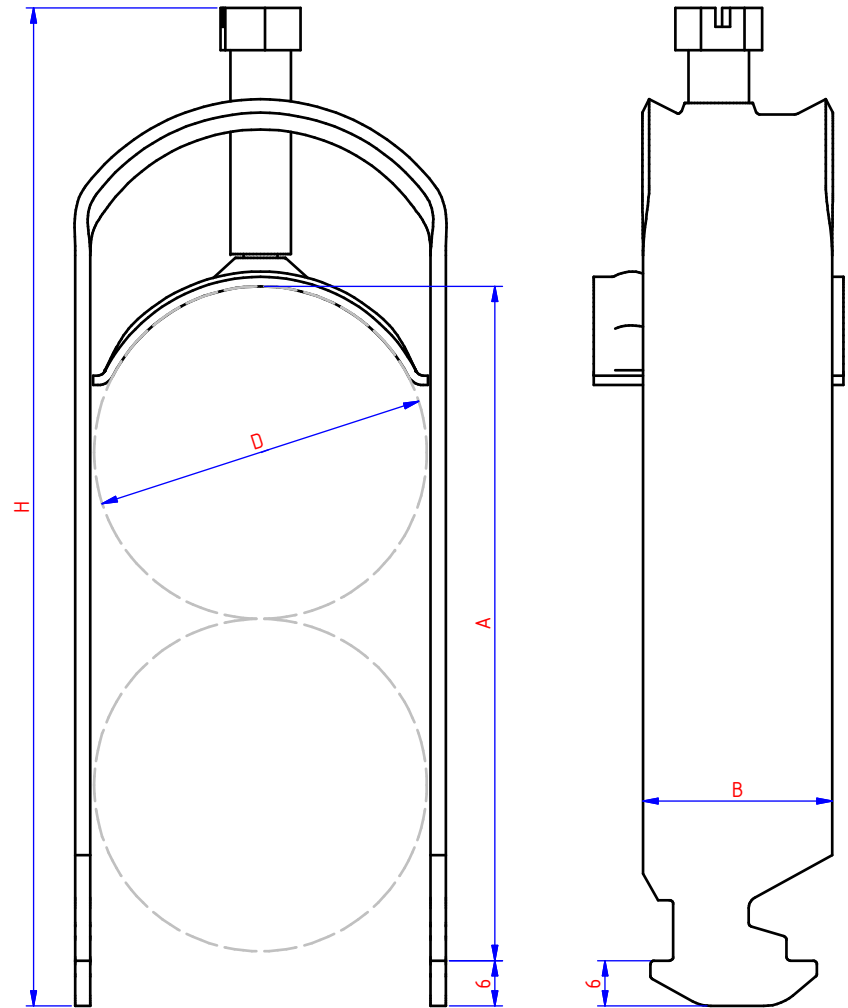
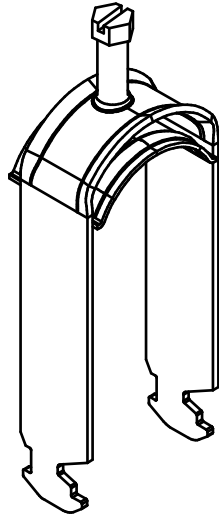


(1:2)



NOT FOR PRODUCTION

Ref.	Cable diameter D	A	H	B	Torque M
HDY1213	12	11 - 25	56 - 70	20	2Nm
HDY1214	16	19 - 33	64 - 78	20	2Nm
HDY1215	20	27 - 41	72 - 86	20	2Nm
HDY1216	24	35 - 49	80 - 94	20	2Nm
HDY1217	28	43 - 57	88 - 102	20	2Nm
HDY1218	32	54 - 65	99 - 110	25	2Nm
HDY1219	36	61 - 73	106 - 118	25	2Nm
HDY1220	40	71 - 81	116 - 126	25	2Nm
HDY1221	44	83 - 89	125 - 131	25	4Nm
HDY1223	52	101 - 105	143 - 147	25	4Nm
HDY1224	56	110 - 113	152 - 155	25	4Nm

Ref.	HDY - model H2	Name Cable clamp model H2 [HDY1221]			
Drawn	Paul Note				
Date	3/03/2014				
Material:	Tolerance:	Standard:	I.S.O. SYMBOL		
Hot dip	-				

Number	Edition	Description of the modification	Date	By
			Scale:	Adapt drawing exclusively with CAD
Meersbloem Melden 16 9700 Oudenaarde			1 : 1	KL
Tel: 055/31.83.35 Fax: 055/31.43.88			DRAWING NUMBER 45737	FORM A4
			P. 1	1 P.