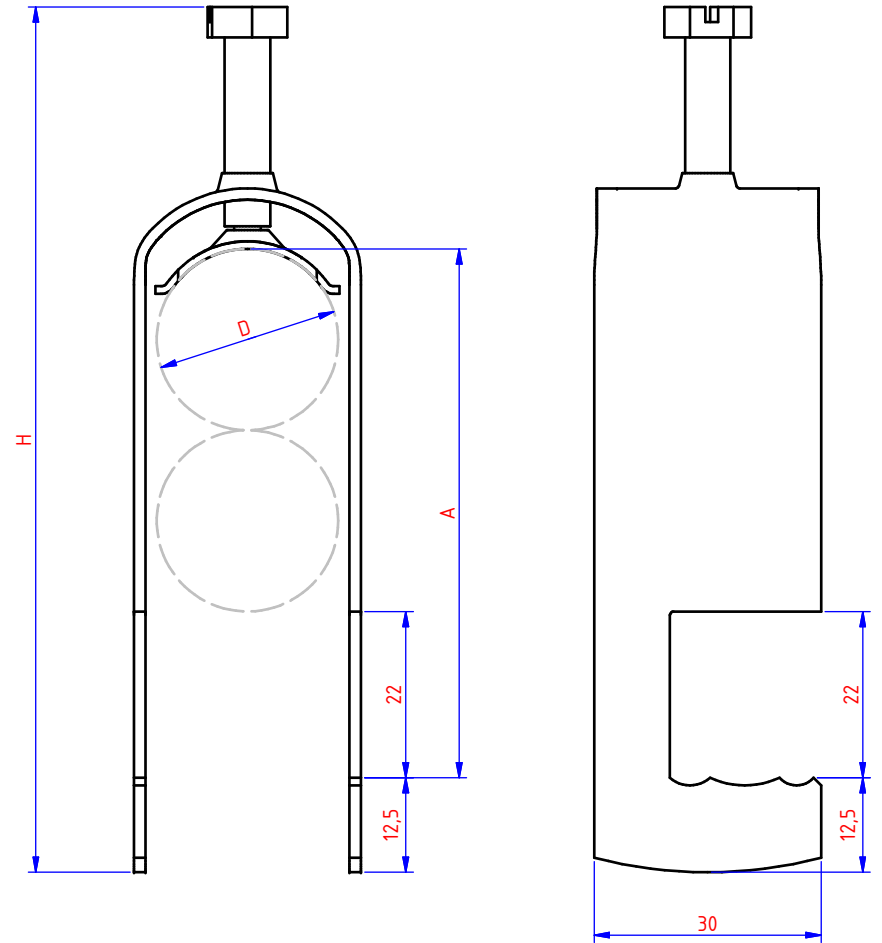
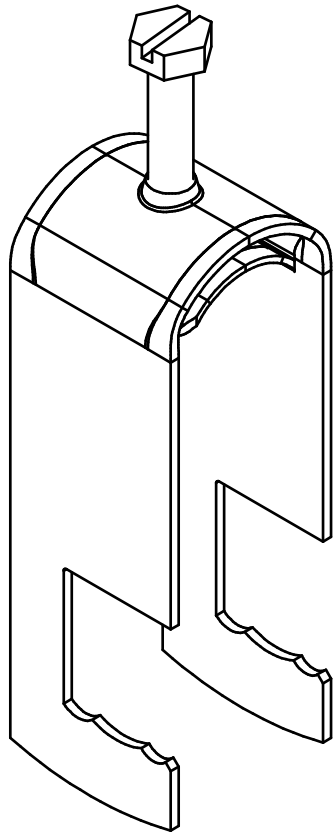


(1:1)



**NOT FOR PRODUCTION**


Ref.	Cable diameter D	A	H	Torque M
HDY2197	26	53 - 75	97 - 120	2Nm

Ref.	HDY - model RU2	Name	Cable clamp model RU2	
Drawn	Paul Note	Name	[HDY2197]	
Date	3/03/2014			
Material:	Tolerance:	Standard:	I.S.O. SYMBOL	
Hot dip	-			

Number	Edition	Description of the modification	Date	By

<b>VERGOKAN</b>	Scale:	Adapt drawing exclusively with CAD	FORM P. 1
	1 : 1		
Meersbloem Melden 16 9700 Oudenaarde	Tel: 055/31.83.35 Fax: 055/31.43.88	DRAWING NUMBER 45739	FORM A4 P. 1