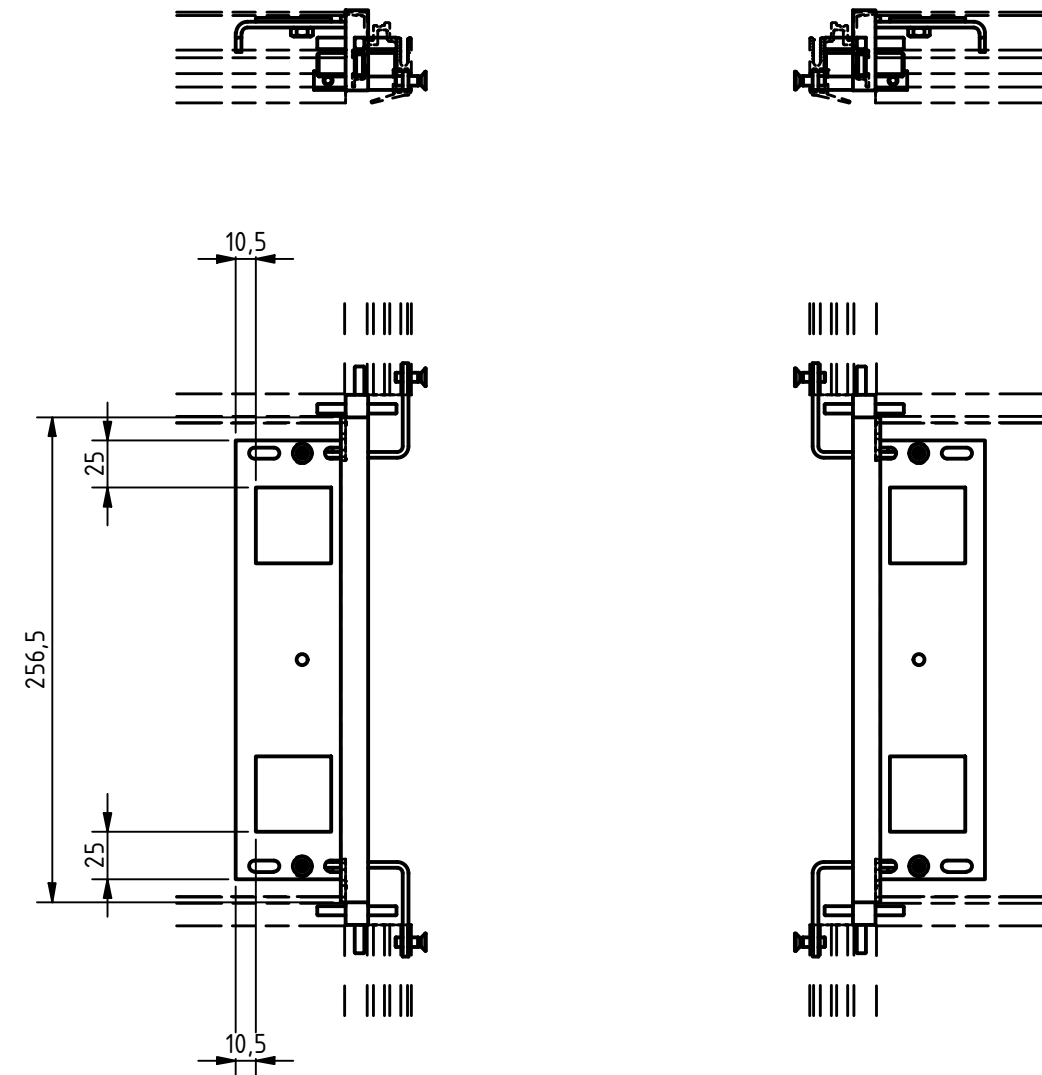
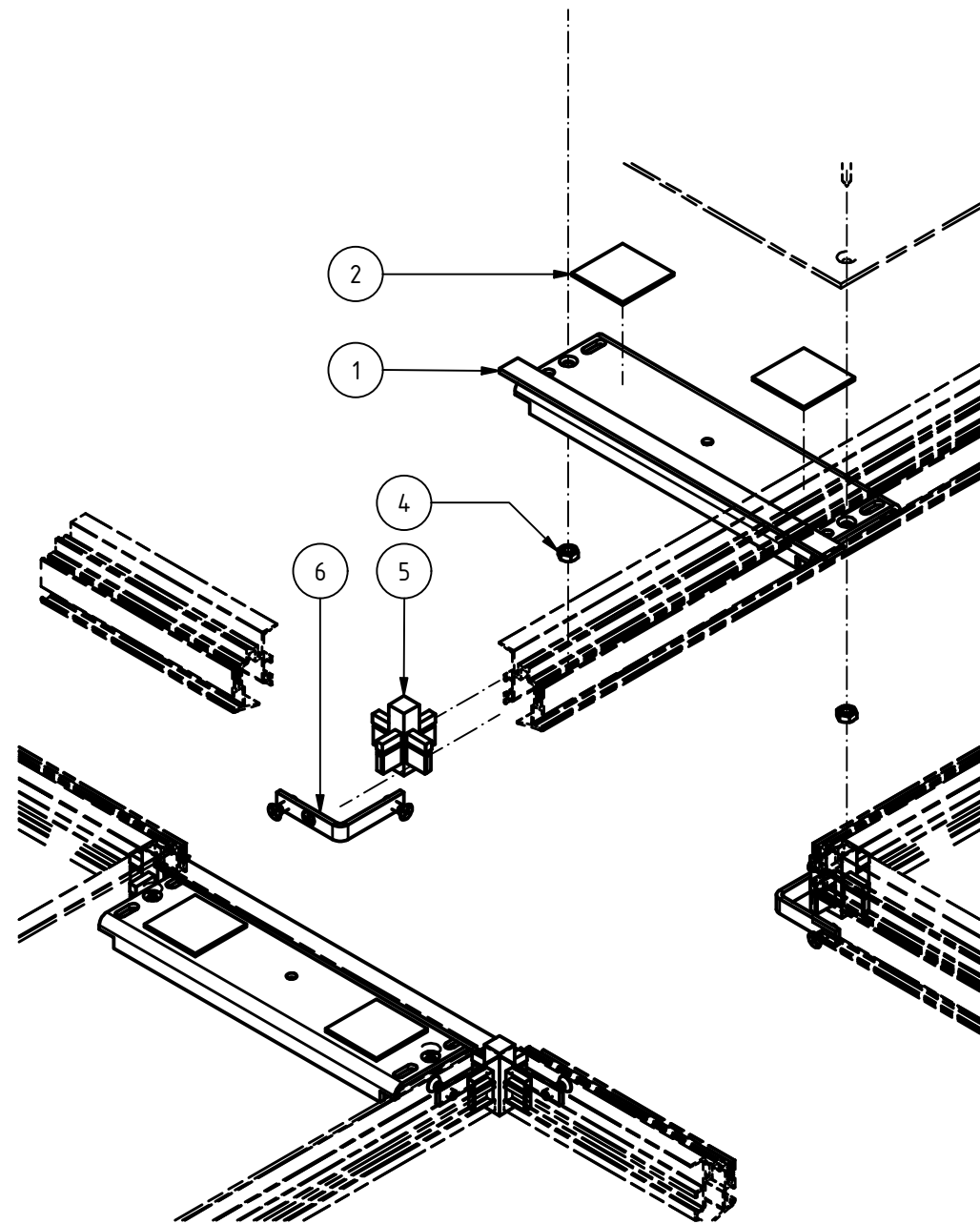


PARTS LIST					
ITEM	QTY	SUBJECT	DESCRIPTION		
1	2	10VGTRA250.3	Traverse voor hulpstukken OVG		
2	4	OVGVLT2	Damper OVG		
4	4	3M6	Nut (DIN 934)		
5	4	4OVGHV	Connection angle OVG PVC		
6	4	OVGEQH	Earth conductor clamp for flush trunking		



VERGOKAN

Meersbloem Melden 16 Tel: 055/31.83.35
9700 Oudenaarde Fax: 055/31.43.88

Number: 46232-A01	Revision: A	Material:
Name: Kruisstuk voor open vloerkanalen	Product ref.: OVGK250.3	
Drawn: pieperbe	Date: 25/09/2018	Category: Floor Installations
Scale: 1 : 4	Format: A3	Sheet: 1 / 1

© This drawing is copyrighted, all rights reserved. This document may not, in whole or part, be copied, photocopied, translated or reduced to any electronic medium or machine readable form without prior consent, in writing, from Vergokan