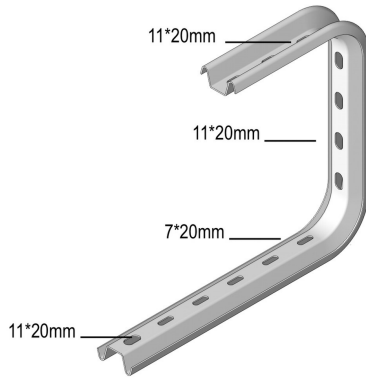


# I4COMEGA290

## Open suspension bracket



Useful for direct mounting to the ceiling or with threaded rod I6TIM 8 or I6TIM10.

Standard finish	Stainless Steel 304
-----------------	---------------------

	Max. load (in daN)
100	70
150	60
200	60
300	50
400	50

HD	Reference	↕ mm	↔ mm	→  ← mm	↔ mm	kg/stk	📦	Stock	Unit
-	<b>I4COMEGA290.100</b>	290	145			0,520	12	X	STK
-	<b>I4COMEGA290.150</b>	290	195			0,560	12	X	STK
-	<b>I4COMEGA290.200</b>	290	245			0,620	12	X	STK
-	<b>I4COMEGA290.300</b>	290	345			0,820	6	X	STK
-	<b>I4COMEGA290.400</b>	290	445			0,930	6	X	STK

Fixing of the cable tray by I6VM6.20. Use the I4VOMEGA to avoid compression of the profile.

Pickled and passivated.