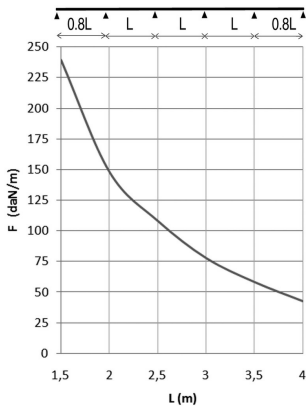
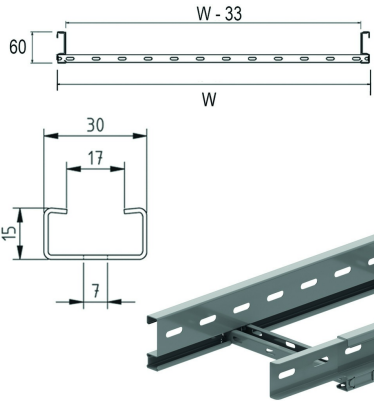


# I4KLLI60

## Cable ladder interlocking ends



Side walls: perforated S-profile  
Perforated C rungs 15 x 30

Usable inner height: 44 mm

Rung distance: 250 mm

To order: Length 6000 mm

To order: Width 700 - 1200 mm (increments of 100 mm)

Standard finish

Stainless Steel 304

HD	Reference	↑ mm	↔ mm	→  ← mm	↔ mm	kg/m	📦	Stock	Unit
-	<b>I4KLLI60.150</b>	60	150	1	3000	2,110	30		M
-	<b>I4KLLI60.200</b>	60	200	1	3000	2,210	30		M
-	<b>I4KLLI60.300</b>	60	300	1	3000	2,400	30		M
-	<b>I4KLLI60.400</b>	60	400	1	3000	2,590	30		M
-	<b>I4KLLI60.500</b>	60	500	1	3000	2,790	30		M
-	<b>I4KLLI60.600</b>	60	600	1	3000	3,810	30		M

### BELASTUNGSDIAGRAMM

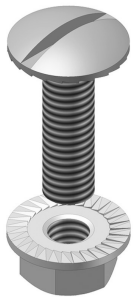
This diagram illustrates the permissible uniformly distributed horizontal loads applied to multiple supports. They comply with IEC 61537 with connection in the centre of the span and the end span = 0,8x the span.

F = max. admissible load (daN/m)

L = support distance (m)

Max. deflection (m) = L/100

### Fix with:



Toothed round head bolt / flange nut  
I6VM

### CHARACTERISTICS

- lightweight
- strong
- interlocking
- partition (I6SLOS35) can be fixed to the cable ladder with a sliding nut (I6GM6 ) and pan head bolt (I6RB6.10)
- no further coupling holes are required if the cable ladder is cut
- use joiners (I6KLLKP60) and bolts (I6VM6.10) to join the cut lengths of cable ladder
- no joiners are required to attach accessories such as bends, tees etc.
- rungs are perforated to enable efficient attachment of cables.

### TECHNICAL INFORMATION

Side walls are constructed from S profile with a return flange and are continuously perforated

Side walls are continuously perforated

C-profile rungs are fixed at 250 mm intervals

Rungs are mechanically attached to the side wall of the cable ladder  
Rungs are alternately placed with openings upwards and downwards.

Pickled and passivated.