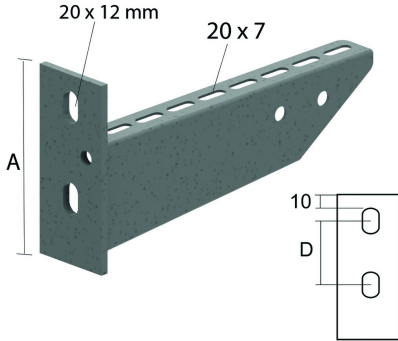


# I4WK

## Welded bracket



For direct fixing on the wall or on ceiling profiles.

Standard finish

Stainless Steel 304

Width	Max. load (daN)	A	D
100	360	98	38
150	300	102	42
200	240	106	46
300	250	114	54
400	260	122	62
500	220	130	70
600	180	138	78

HD	Reference	↑ mm	↔ mm	→  ← mm	↔ mm	kg/stk	📦	Stock	Unit
-	<b>I4WK100</b>	98	117			0,300	24		STK
-	<b>I4WK150</b>	102	167			0,360	24		STK
-	<b>I4WK200</b>	106	217			0,430	12		STK
-	<b>I4WK300</b>	114	317			0,730	12		STK
-	<b>I4WK400</b>	122	417			0,880	6		STK
-	<b>I4WK500</b>	130	517			1,300	6		STK
-	<b>I4WK600</b>	138	617			1,600	6		STK

For fixing on the ceiling profile, the necessary fixing set is to be ordered separately: sliding nut I6PNP10 and bolt I6B10.20.

Max. load (in daN): Uniformly distributed load (UDL) over complete width of cantilever brackets.

Pickled and passivated.