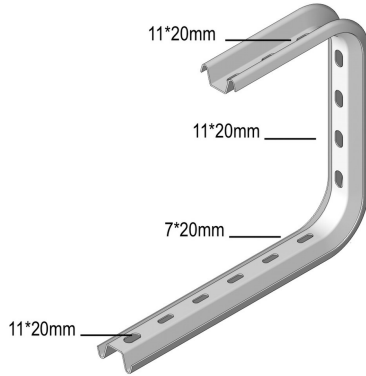


I6COMEGA290

Open suspension bracket



Useful for direct mounting to the ceiling or with threaded rod I6TIM8 or I6TIM10.

Standard finish Stainless Steel 316

	Max. load (in daN)
100	70
150	60
200	60
300	50
400	50

HD	Reference	↕ mm	↔ mm	→ ← mm	↔ mm	kg/stk	📦	Stock	Unit
-	I6COMEGA290.100	290	145			0,520	12	X	STK
-	I6COMEGA290.150	290	195			0,560	12	X	STK
-	I6COMEGA290.200	290	245			0,620	12	X	STK
-	I6COMEGA290.300	290	345			0,820	6	X	STK
-	I6COMEGA290.400	290	445			0,930	6	X	STK

Fixing of the cable tray by I6VM6.20. Use the I6VOMEGA to avoid compression of the profile.

Pickled and passivated.