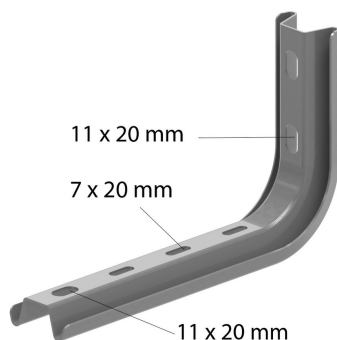


# I6LOMEGA150

## Bracket / Ceiling profile



Standard finish	Stainless Steel 316
Max. load (in daN)	
100	110
150	100
200	90
300	70
400	50
500	40
600	30

HD	Reference	↑ mm	↔ mm	→  ← mm	↔ mm	kg/stk	📦	Stock	Unit
-	<b>I6LOMEGA150.100</b>	145	145			0,300	12	X	STK
-	<b>I6LOMEGA150.150</b>	145	195			0,320	12	X	STK
-	<b>I6LOMEGA150.200</b>	145	245			0,340	12	X	STK
-	<b>I6LOMEGA150.300</b>	145	345			0,490	6	X	STK
-	<b>I6LOMEGA150.400</b>	145	445			0,540	6	X	STK
-	<b>I6LOMEGA150.500</b>	145	545			0,640	6	X	STK
-	<b>I6LOMEGA150.600</b>	145	645			0,770	6	X	STK

Use the I6VOMEGA to avoid compression of the profiles.

Pickled and passivated.