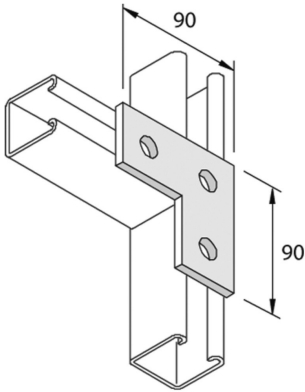


I6P1036
Fitting flat L 3D14



Standard finish

Stainless Steel 316

HD	Reference	↕ mm	↔ mm	→ ← mm	↔ mm	kg/stk	📦	Stock	Unit
-	P1036SS		90		90	0,240	20	X	STK

To order per full packaging.