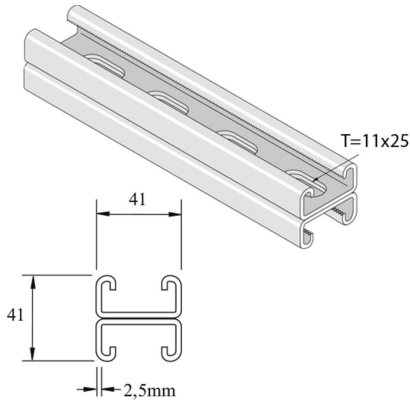


I6P3301

Assembly profile



Standard finish

Stainless Steel 316

HD	Reference	↑ mm	↔ mm	→ ← mm	↔ mm	kg/m	📦	Stock	Unit
-	P3301SS	41	41	2,5	6000	3,916	6		M
-	P3301SSX3000	41	41	2,5	3000	3,792	3		M
-	P3301T10SS	41	41	2,5	6000	3,530	150		M
-	P3301T10SSX3	41	41	2,5	3000	3,530	3		M

Pickled and passivated.