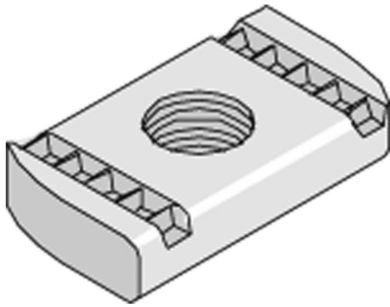


# I6PNP

## Sliding nut for supporting profile



Standard finish

Stainless Steel 316

HD	Reference	↕ mm	↔ mm	→  ← mm	↔ mm	kg/stk	📦	Stock	Unit
-	<b>PNP06SS</b>			M6		0,028	100	X	STK
-	<b>PNP08SS</b>			M8		0,034	100	X	STK
-	<b>PNP10SS</b>			M10		0,038	100	X	STK
-	<b>PNP12ASS</b>			M12		0,038	100	X	STK

To order per full packaging.