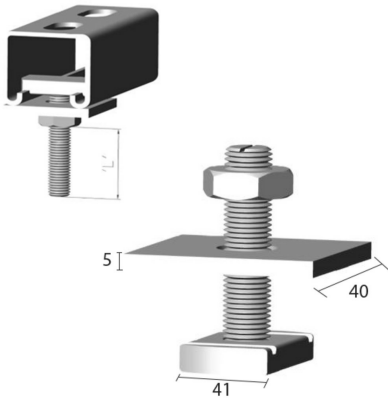


I6SN

Sliding nut for supporting profile



Standard finish

Stainless Steel 316

HD	Reference	↕ mm	↔ mm	→ ← mm	↔ mm	kg/stk	📦	Stock	Unit
-	M8X40SNSS		35			0,234	100		STK
-	M10X40SNSS		35			0,339	100		STK
-	M12X40SNSS		35			0,117	100		STK

To order per full packaging.