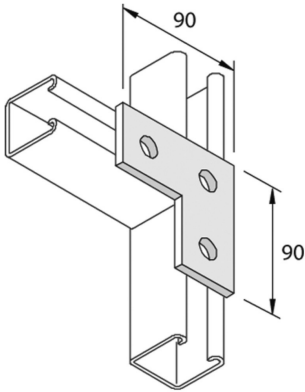


**P1036SS**  
Fitting flat L 3D14



Standard finish

Stainless Steel 316

HD	Reference	↕ mm	↔ mm	→  ← mm	↔ mm	kg/stk	📦	Stock	Unit
-	<b>P1036SS</b>		90		90	0,240	20	X	STK

To order per full packaging.