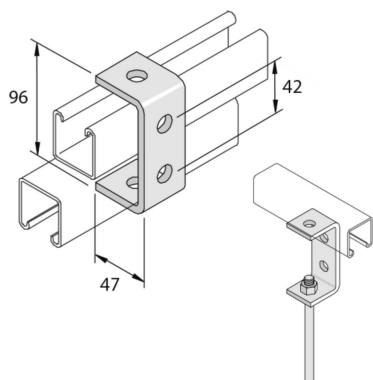


P1044SS
C96 Fitting 4D14



| Standard finish | | Stainless Steel 316 | | | | | | | |
|-----------------|----------------|---------------------|----|----|----|--------|-------|------|--|
| HD | Reference | mm | mm | mm | mm | kg/stk | Stock | Unit | |
| - | P1044SS | 96 | 40 | | 47 | 0,287 | 10 | STK | |

To order per full packaging.