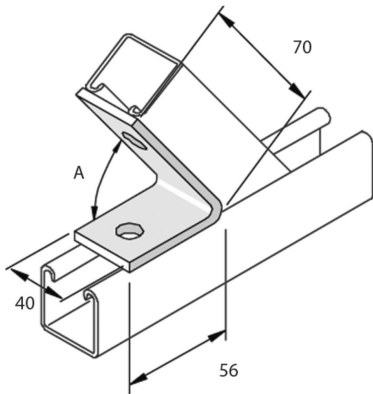


P1186SS
Fitting angle **135° 2D14**



Standard finish		Stainless Steel 316							
HD	Reference	↕ mm	↔ mm	↔ mm	↔ mm	kg/stk	📦	Stock	Unit
-	P1186SS					0,194	20		STK

A = 135°
To order per full packaging.