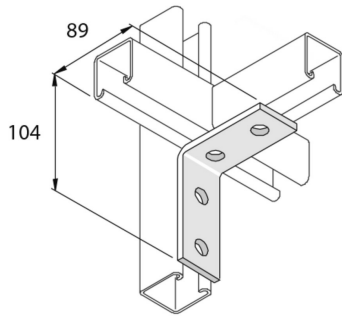


P1325SS
Fitting 90° angle L 4D14



Standard finish

Stainless Steel 316

HD	Reference	mm	mm	mm	mm	kg/stk	Stock	Unit
-	P1325SS	89	40		104	0,297	X	STK

To order per full packaging.