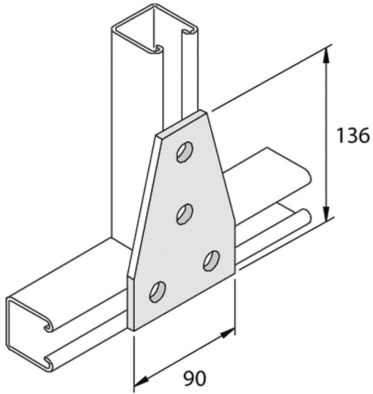


P1358SS
Fitting flat TR 4D14



Standard finish

Stainless Steel 316

HD	Reference	↕ mm	↔ mm	↔ mm	↔ mm	kg/stk	📦	Stock	Unit
-	P1358SS	136			90	0,494	10		STK

To order per full packaging.