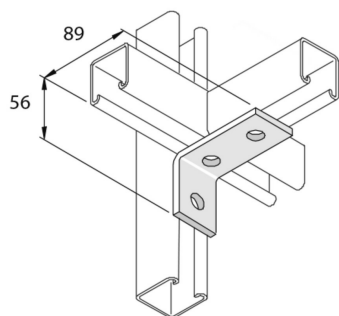


P1458SS

Fitting 90° angle L 3D14



| Standard finish | | Stainless Steel 316 | | | | | | | |
|-----------------|----------------|---------------------|---------|------------|---------|--------|----|-------|------|
| HD | Reference | ↕ mm | ↔ mm | → ← mm | ↔ mm | kg/stk | 📦 | Stock | Unit |
| - | P1458SS | 56 | 40 | | 89 | 0,219 | 10 | | STK |

To order per full packaging.