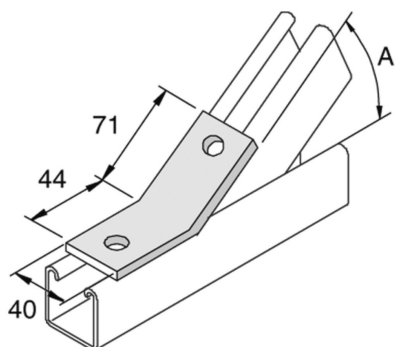


**P1546SS**  
Fitting angle 45° 2D14



Standard finish		Stainless Steel 316							
HD	Reference	↕ mm	↔ mm	↔ mm	↔ mm	kg/stk	📦	Stock	Unit
-	<b>P1546SS</b>		40			0,194	10		STK

To order per full packaging.