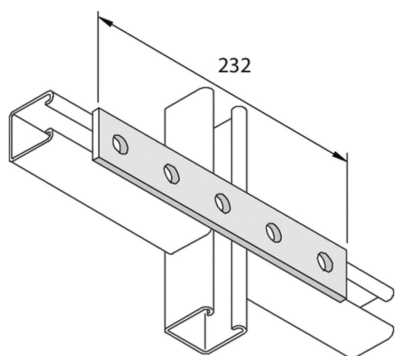


**P1941SS**  
Fitting flat 5D14



Standard finish		Stainless Steel 316							
HD	Reference	↕ mm	↔ mm	→  ← mm	↔ mm	kg/stk	📦	Stock	Unit
-	<b>P1941SS</b>		40		232	0,375	20		STK

To order per full packaging.