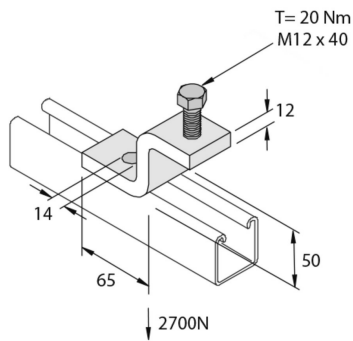


P1983SS

Z50 Clamp



Standard finish

Stainless Steel 316

HD	Reference	mm	mm	mm	mm	kg/stk	Stock	Unit
-	P1983SS	50	40			0,389	10	STK

To order per full packaging.