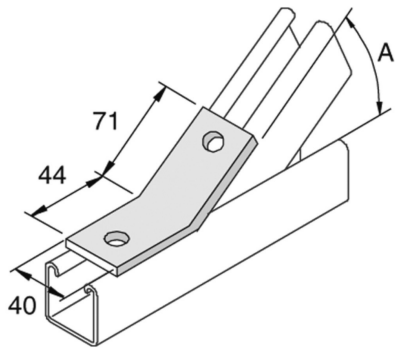


P2095SS
Fitting angle 75° 2D14



Standard finish

Stainless Steel 316

HD	Reference	↕ mm	↔ mm	↔ mm	↔ mm	kg/stk	📦	Stock	Unit
-	P2095SS		40			0,194	10		STK

To order per full packaging.