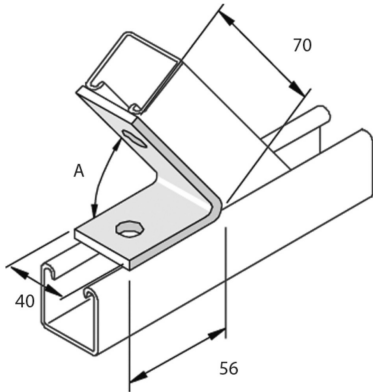


P2106SS
Fitting angle 105° 2D14



Reference	↕ mm	↔ mm	→ ← mm	↔ mm	kg/stk	📦	Unit
P2106SS		40			0,194	10	STK