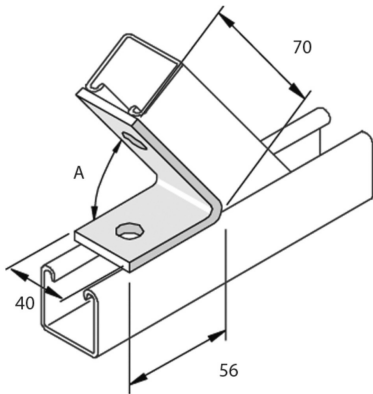


P2108SS
Fitting angle 120° 2D14



Standard finish

Stainless Steel 316

| HD | Reference | ↕ mm | ↔ mm | ↔ mm | ↔ mm | kg/stk | 📦 | Stock | Unit |
|----|----------------|---------|---------|---------|---------|--------|----|-------|------|
| - | P2108SS | | 40 | | | 0,194 | 20 | | STK |

To order per full packaging.