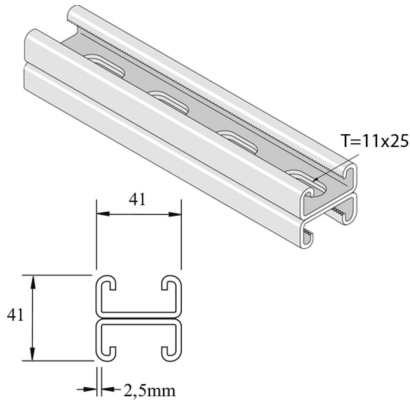


P3301SPP

Assembly profile



Standard finish

Stainless Steel 316

HD Reference	↕ mm	↔ mm	→ ← mm	↔ mm	kg/m	📦	Stock	Unit
- P3301SPP	41	41	2,5	6000	3,916	6		M
- P3301SPPX3000	41	41	2,5	3000	3,792	3		M
- P3301T10SPP	41	41	2,5	6000	3,530	150		M
- P3301T10SPPX3	41	41	2,5	3000	3,530	3		M

Pickled and passivated.