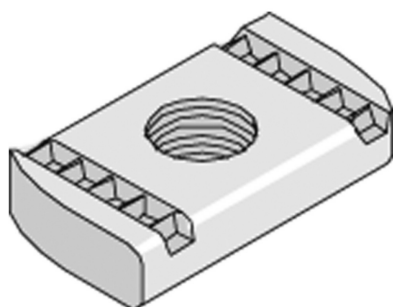


PNP SS

Sliding nut for supporting profile



Standard finish		Stainless Steel 316							
HD	Reference	↕ mm	↔ mm	→ ← mm	↔ mm	kg/stk	📦	Stock	Unit
-	PNP06SS			M6		0,028	100	X	STK
-	PNP08SS			M8		0,034	100	X	STK
-	PNP10SS			M10		0,038	100	X	STK
-	PNP12ASS			M12		0,038	100	X	STK

To order per full packaging.