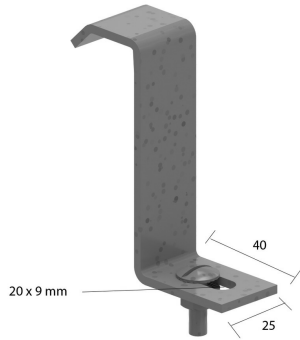


HDBKIE25

Bracket clamp for HDKLIE



To mount the cable ladder on a bracket.

Standard finish		Hot-dip galvanised							
Optional finish PE		Duplex system							
HD	Reference	↕ mm	↔ mm	→ ← mm	↔ mm	kg/stk	📦	Stock	Unit
-	HDBKIE25	83	25			0,090	20	X	STK

To order per full packaging.
Included: Bolt RB6.20 and flanged nut RM6.