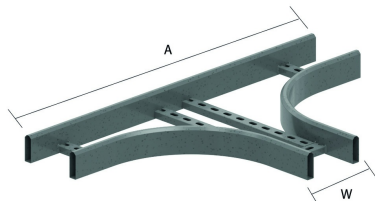


HDKLIT

T-piece for HDKLIE



Radius: 300 mm

Standard finish

Hot-dip galvanised

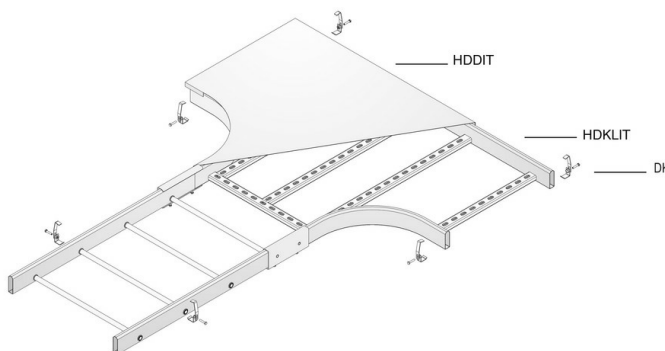
Optional finish PE

Duplex system

W	200	300	400	500	600
A	1100	1200	1300	1400	1500

HD	Reference	mm	mm	mm	mm	kg/stk	Stock	Unit
-	HDKLIT200	80	200			6,200	1 X	STK
-	HDKLIT300	80	300			6,800	1 X	STK
-	HDKLIT400	80	400			7,900	1 X	STK
-	HDKLIT500	80	500			8,400	1 X	STK
-	HDKLIT600	80	600			10,300	1 X	STK

Fix with:



Joiner for HDKLIE
HDLVIE