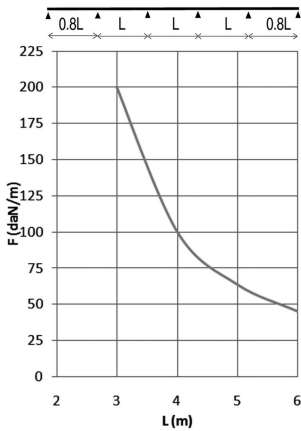
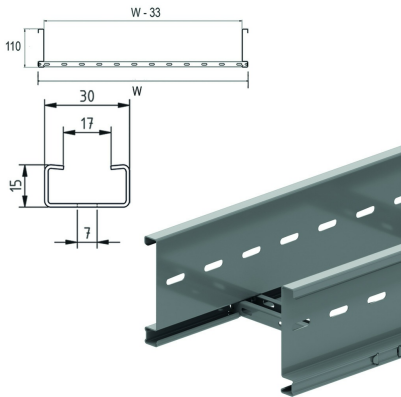


KLL110.6

Cable ladder



Side walls: perforated S-profile
Perforated C rungs 15x30

Usable inner height: 94 mm
Rung distance: 250 mm

Standard finish	Pre-galvanised
Optional finish	zinc magnesium
Optional finish PE	Coating

HD	Reference	↑ mm	↔ mm	→ ← mm	↔ mm	kg/m	📦	Stock	Unit
-	KLL110.200.6	110	200	1,25	6000	3,699	36		M
-	KLL110.300.6	110	300	1,25	6000	3,937	36		M
-	KLL110.400.6	110	400	1,25	6000	4,174	36		M
-	KLL110.500.6	110	500	1,25	6000	4,412	36		M
-	KLL110.600.6	110	600	1,25	6000	4,650	36		M
-	ZMKLL110.200.6	110	200	1,25	6000	3,699	18		M
-	ZMKLL110.300.6	110	300	1,25	6000	3,937	18		M
-	ZMKLL110.400.6	110	400	1,25	6000	4,174	18		M
-	ZMKLL110.500.6	110	500	1,25	6000	4,412	18		M
-	ZMKLL110.600.6	110	600	1,25	6000	4,650	18		M

LOAD DIAGRAM

This diagram illustrates the permissible uniformly distributed horizontal loads applied to multiple supports. They comply with IEC 61537 with connection in the centre of the span and the end span = 0,8x the span.

F = max. admissible load (daN/m)
L = support distance (m)
Max. deflection (m) = L/100

CHARACTERISTICS

- lightweight
- strong
- partition (SLOS85) can be fixed to the cable ladder with a sliding nut (GM6) and pan head bolt (RB6.10)
- no further coupling holes are required if the cable ladder is cut.
- rungs are perforated to enable efficient attachment of cables.

TECHNICAL INFORMATION

Side walls are constructed from S profile with a return flange and are continuously perforated.

C-profile rungs are fixed at 250 mm intervals.

Rungs are mechanically attached to the side wall of the cable ladder. Rungs are alternately placed with openings upwards and downwards.