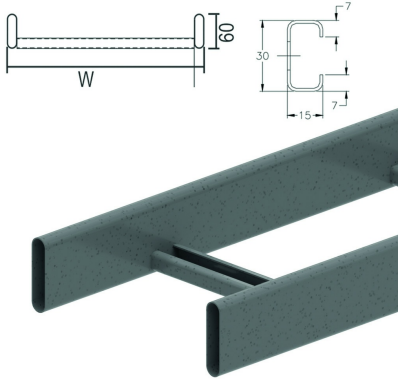


HDKS60

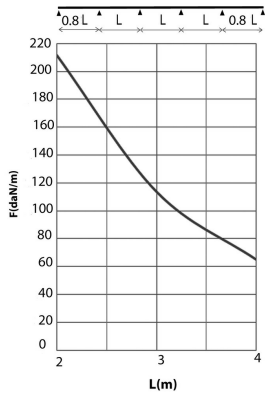
Cable ladder DAVID



Tubular side walls.
Perforated C-rungs 15x30

Usable inner height: 45 mm
Rung distance: 250 mm

Reference	↑ mm	↔ mm	→ ← mm	↔ mm	kg/m	📦	Unit
HDKS60.200	60	200		6000	2,800	60	M
HDKS60.300	60	300		6000	3,080	60	M
HDKS60.400	60	400		6000	3,320	60	M
HDKS60.500	60	500		6000	3,530	60	M
HDKS60.600	60	600		6000	3,870	60	M



LOAD DIAGRAM

This diagram illustrates the permissible uniformly distributed horizontal loads applied to multiple supports. They comply with IEC 61537 with connection to 1/5 of the span and the end span = 0,8x the span.

F = max. admissible load (daN/m)

L = support distance (m)

Max. deflection (m) = L/100

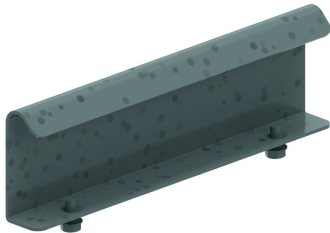
CHARACTERISTICS

- lightweight
- strong
- rounded tubular side-walls eliminate the risk of cable damage
- hot-dip galvanised as standard
- wrap around joiners with pre-assembled tap bolts ensure a fast secure connection
- rungs are perforated to enable efficient attachment of cables.
- partition (ZMSLOS35) can be fixed to the cable ladder with a sliding nut (GM6) and pan head bolt (HDRB6.10).

TECHNICAL INFORMATION

- Side walls are constructed from tubular section 60 mm x 15 mm.
- C-rungs are fixed at 250 mm intervals.
- Rungs are welded to the side wall of the cable ladder.
- Rungs are alternately placed with openings upwards and downwards.

Fix with:



Joiner for HDKS
HDSSU