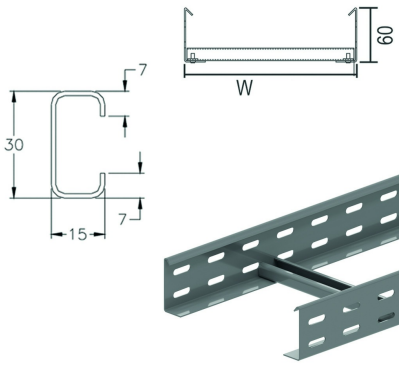


KL60

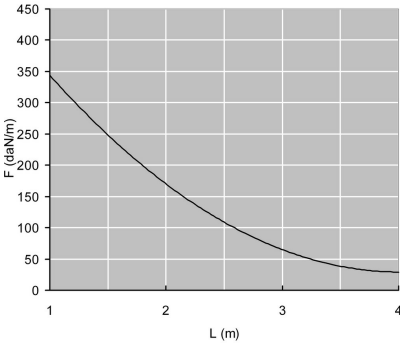
Cable ladder



Side walls: perforated L-profile
C-rungs

Usable inner height: 45 mm
Rung distance: 300 mm

Reference	↑ mm	↔ mm	→ ← mm	↔ mm	kg/m	📦	Unit
KL60.200	60	200		3000	2,370	24	M
KL60.300	60	300		3000	2,570	24	M
KL60.400	60	400		3000	2,770	24	M
KL60.500	60	500		3000	2,970	24	M
KL60.600	60	600		3000	3,200	24	M



LOAD DIAGRAM

This diagram illustrates the permissible uniformly distributed horizontal loads applied to multiple supports. They comply with IEC 61537 par 10.3.3 test type III with connection to 1/5 of the span.

F = max. admissible load (daN/m)

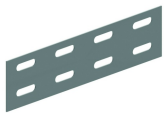
L = support distance (m)

Max. deflection (m) = L/100

CHARACTERISTICS

- lightweight
- strong
- partition (SLOS35) can be fixed to the cable ladder by means of a sliding nut GM6 and pan head bolt (RB6.10)
- all accessories for cable tray height 60 mm can also be mounted on this KL cable ladder
- no further coupling holes are required if the cable ladder is cut.

Fix with:



Joiner
V60.200



Toothed round
head bolt / flange
nut
VM

TECHNICAL INFORMATION

Side walls are constructed from L profile with a return flange and are continuously perforated.

C-profile rungs are fixed at 300 mm intervals.

Rungs are attached to the side walls of the cable ladder by means of cold fusion. The rung openings are directed upwards.