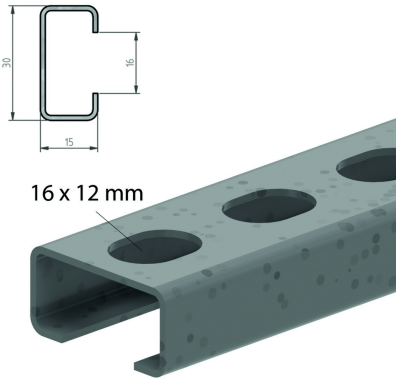


DR15.30

Supporting profile



For wall and ceiling constructions

| | |
|--------------------|--------------------|
| Standard finish | Pre-galvanised |
| Optional finish | Hot-dip galvanised |
| Optional finish PE | Coating |

| HD Reference | ↑ mm | ↔ mm | → ← mm | ↔ mm | kg/stk | 📦 | Stock | Unit |
|------------------------|---------|---------|------------|---------|--------|----|-------|------|
| HD DR100 | 15 | 30 | | 100 | 0,060 | 10 | X | STK |
| HD DR150 | 15 | 30 | | 150 | 0,080 | 10 | X | STK |
| HD DR200 | 15 | 30 | | 200 | 0,110 | 10 | X | STK |
| HD DR250 | 15 | 30 | | 250 | 0,130 | 10 | X | STK |
| HD DR300 | 15 | 30 | | 300 | 0,160 | 10 | X | STK |
| HD DR350 | 15 | 30 | | 350 | 0,190 | 10 | X | STK |
| HD DR15.30.2000 | 15 | 30 | | 2000 | 0,600 | 40 | | M |

Max. support distance = 300 mm.
 Use of cable clamps, type H.
 Applicable with all DIN 4102-12 certified cables.
 Fixing to the ceiling or wall with certified concrete anchors.
 Distance between the anchors max. 250 mm.