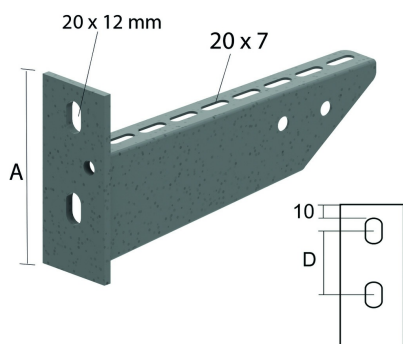


HDWK

Welded bracket

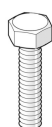


Standard finish	Hot-dip galvanised
-----------------	--------------------

	Max. load (in daN)	A	D
HDWK100	120	106,5	46,5
HDWK150	230	112	52
HDWK200	340	116	56
HDWK300	320	125	65
HDWK400	430	134	74

HD	Reference	↕ mm	↔ mm	→ ← mm	↔↔ mm	kg/stk	📦	Stock	Unit
-	HDWK100	106	117			0,300	12	X	STK
-	HDWK150	112	167			0,360	12	X	STK
-	HDWK200	116	217			0,430	12	X	STK
-	HDWK300	125	317			0,730	12	X	STK
-	HDWK400	134	417			0,880	6	X	STK

Fix with:



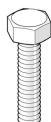
Bolt (DIN 933)
B

Flat giant washer
(DIN 9021)
CRO



Nut (DIN 934)
M

Flat giant washer
(DIN 9021)
CRO



Nut (DIN 934)
M

Bolt (DIN 933)
B

To order per full packaging.
For symmetrical mounting, use HDB12.50 + HDCRO12 + HDM12.

