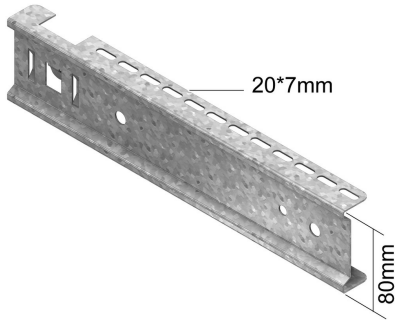


KCLBS

Click-on bracket



Standard finish

Pre-galvanised

HD	Reference	↕ mm	↔ mm	→ ← mm	↔ mm	kg/stk	📦	Stock	Unit
-	KCLBS100	80	180			0,220	48		STK
-	KCLBS200	80	280			0,350	48		STK
-	KCLBS300	80	380			0,470	24		STK

Completely clipsable, secured with VM4.40.
Use CLHS for symmetrical mounting.
Clamp for fixing of threaded rod (HDBSKLEM) to order separately.

Fix with:



Toothed round
head bolt / flange
nut
VM

Toothed round
head bolt / flange
nut
VM

