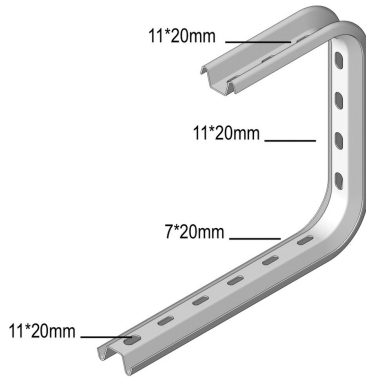


COMEGA290

Open suspension bracket



Reference	Finish	↑ mm	↔ mm	→ ← mm	↔ mm	kg/stk	📦	Unit
COMEGA290.150	SZ	290	195			0,560	12	STK
COMEGA290.200	SZ	290	245			0,620	12	STK
COMEGA290.250	SZ	290	295			0,760	6	STK
COMEGA290.300	SZ	290	345			0,820	6	STK
COMEGA290.400	SZ	290	445			0,930	6	STK

To order per full packaging.
Ends held up by threaded rod TIM10.
Use the VOMEGA to avoid compression of the profile.
When ordering, add 100 mm to the width. E.g. KBS 300 mm: use COMEGA290.400.

Legend finish
- SZ = Sendzimir