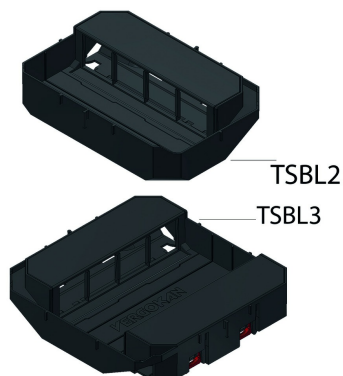


TSBL

Low profile apparatus box



Completely clippable.

Color: Black RAL 9011

Standard finish

Polypropylene

HD	Reference	↕ mm	↔ mm	→ ← mm	↔ mm	kg/stk	📦	Stock	Unit
-	TSBL2					0,210	6	X	STK
-	TSBL3					0,275	3	X	STK

To order per full packaging.

Tested to EN 50085-2-2.

For oblique mounting of clip devices type 45.

TSBL2:

Up to 4 mounting positons.

Set contains base cup + 1 frame + 2 screw-in cable restrainers.

TSBL3:

Up to 8 mounting positons.

Set contains base cup + 2 frames + 4 screw-in cable restrainers.

