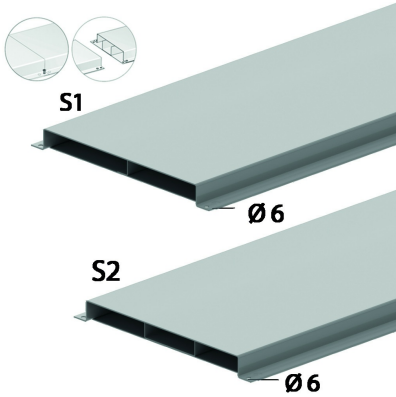


VGI48

Floor trunking with integrated ends



With 2 or 3 compartments.

Thickness cover: 1,50 mm

Thickness trunk: 1,00 mm

Standard finish

Pre-galvanised

HD	Reference	↕ mm	↔ mm	→ ← mm	↔ mm	kg/m	📦	Stock	Unit
-	VGI48.170S1	48	170		3000	5,596	150		M
-	VGI48.170S2	48	170		3000	6,252	150		M
-	VGI48.250S1	48	250		3000	7,166	150		M
-	VGI48.250S2	48	250		3000	8,026	150		M
-	VGI48.350S1	48	350		3000	9,128	150		M
-	VGI48.350S2	48	350		3000	10,256	150		M

Tested according EN 50085-2-2.

In total 16 predrilled fixing points available per length.

No additional pieces needed for equipotential connection.

The product is patented.