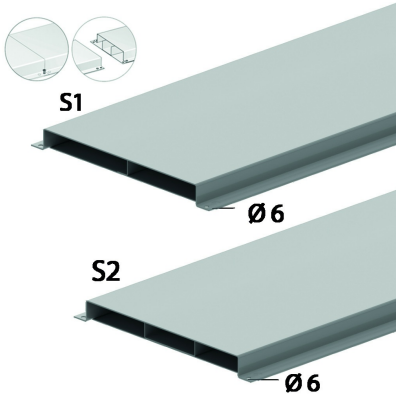


VGLI28

Floor trunking light integrated ends



With 2 or 3 compartments.

Thickness cover: 1,00 mm

Thickness trunk: 1,00 mm

Standard finish

Pre-galvanised

HD	Reference	↕ mm	↔ mm	→ ← mm	↔ mm	kg/m	📦	Stock	Unit
-	VGLI28.170S1	28	170		3000	3,976	150		M
-	VGLI28.170S2	28	170		3000	4,475	150		M
-	VGLI28.250S1	28	250		3000	5,232	150	X	M
-	VGLI28.250S2	28	250		3000	5,935	150		M
-	VGLI28.350S1	28	350		3000	6,802	150		M
-	VGLI28.350S2	28	350		3000	7,772	150	X	M

Tested according EN 50085-2-2.

In total 16 predrilled fixing points available per length.

No additional pieces needed for equipotential connection.

The product is patented.