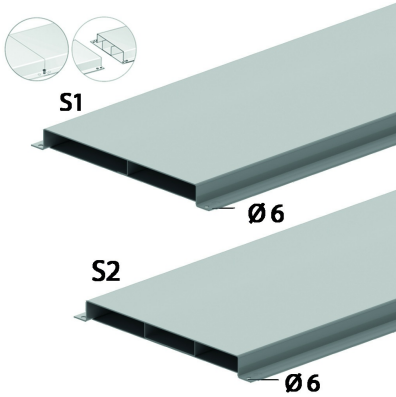


VGLI38

Floor trunking light integrated ends



With 2 or 3 compartments.

Thickness cover: 1,00 mm

Thickness trunk: 1,00 mm

Standard finish

Pre-galvanised

HD	Reference	↑ mm	↔ mm	→ ← mm	↔ mm	kg/m	📦	Stock	Unit
-	VGLI38.170S1	38	170		3000	4,211	150		M
-	VGLI38.170S2	38	170		3000	4,789	150		M
-	VGLI38.250S1	38	250		3000	5,467	150	X	M
-	VGLI38.250S2	38	250		3000	6,249	150		M
-	VGLI38.350S1	38	350		3000	7,037	150		M
-	VGLI38.350S2	38	350		3000	8,086	150	X	M

Tested according EN 50085-2-2.

In total 16 predrilled fixing points available per length.

No additional pieces needed for equipotential connection.

The product is patented.