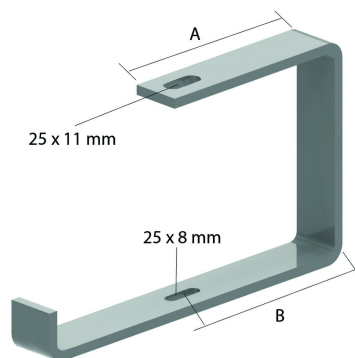


# OBZ130

## Open suspension bracket



Useful for direct mounting to the ceiling or with threaded rod TIM8 or TIM10.

Standard finish	Electro zinc-plated
Optional finish	Hot-dip galvanised
Optional finish PE	Coating

Article	Max. load (in daN)	A	B
OBZ130.075	80	64	42,5
OBZ130.100	40	80	59,5
OBZ130.150	50	105	84,5
OBZ130.200	30	130	109,5
OBZ130.250	50	155	134,5
OBZ130.300	40	180	159,5
OBZ130.400	30	230	209,5

HD	Reference	↕ mm	↔ mm	→  ← mm	↔↔ mm	kg/stk	📦	Stock	Unit
HD	<b>OBZ130.075</b>	132	102			0,390	12	X	STK
HD	<b>OBZ130.100</b>	132	125			0,450	12	X	STK
HD	<b>OBZ130.150</b>	132	177			0,570	12	X	STK
HD	<b>OBZ130.200</b>	132	227			0,670	12	X	STK
HD	<b>OBZ130.250</b>	132	281			1,020	6	X	STK
HD	<b>OBZ130.300</b>	132	331			1,180	6	X	STK
HD	<b>OBZ130.400</b>	132	431			1,461	6	X	STK

To order per full packaging.

Fixing of the cable tray by VM6.20.

Max. load (in daN): uniformly distributed over complete width of cantilever brackets.