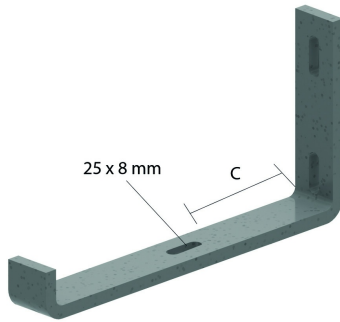


HDMBZ

Wall support



Max. load: 40 daN

Standard finish

Hot-dip galvanised

Optional finish PE

Duplex system

	C
HDMBZ075	30
HDMBZ100	47,50
HDMBZ150	65,50
HDMBZ200	97,50

HD	Reference	↕ mm	↔ mm	→ ← mm	↔ mm	kg/stk	📦	Stock	Unit
-	HDMBZ075	120	104			0,310	6	X	STK
-	HDMBZ100	120	125			0,350	6	X	STK
-	HDMBZ150	120	175			0,470	6	X	STK
-	HDMBZ200	120	233			0,660	6	X	STK

To order per full packaging.