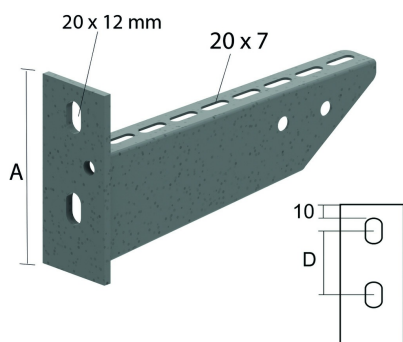


HDWK

Welded bracket



For fixing on the wall and also on the ceiling profile.

Thickness head plate: 5 mm

Standard finish

Hot-dip galvanised

Optional finish PE

Duplex system

	Max. load (in daN)	A	D
HDWK100	120	106,5	46,5
HDWK150	230	112	52
HDWK200	340	116	56
HDWK250	450	120,5	60,5
HDWK300	320	125	65
HDWK400	430	134	74
HDWK500	390	142,5	82,5
HDWK600	350	150	90

HD	Reference	↕ mm	↔ mm	→ ← mm	↔↔ mm	kg/stk	📦	Stock	Unit
-	HDWK100	106	117			0,300	12	X	STK
-	HDWK150	112	167			0,360	12	X	STK
-	HDWK200	116	217			0,430	12	X	STK
-	HDWK250	120	267			0,530	12	X	STK
-	HDWK300	125	317			0,730	12	X	STK
-	HDWK400	134	417			0,880	6	X	STK
-	HDWK500	142	517			1,299	6	X	STK
-	HDWK600	150	617			1,600	6	X	STK

To order per full packaging.

For fixing on ceiling profiles, order the necessary fixing elements separately: two sliding nuts PNP10 and

- tapbolt B10.20 per bracket for ceiling profile HDHSLECL/HDHSLDCL.

- tapbolt B10.30 per bracket for ceiling profile HSMES/HSMD.

Max. load (in daN): uniformly distributed over complete width of cantilever brackets.