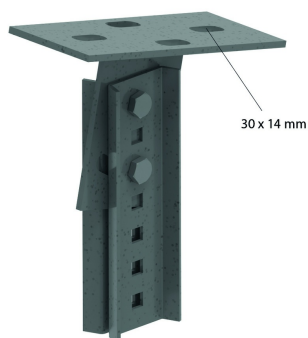


# HDSKIPE

## Hinged headplate for HDIPE80S



To be mounted on HDIPE80S profile, max. angle of 35°.

Max. load: 2350 daN

Standard finish

Hot-dip galvanised

Optional finish PE

Duplex system

| HD | Reference      | ↑<br>mm | ↔<br>mm | →  ←<br>mm | ↔<br>mm | kg/stk | 📦 | Stock | Unit |
|----|----------------|---------|---------|------------|---------|--------|---|-------|------|
| -  | <b>HDSKIPE</b> |         |         | 3          | 191     | 1,670  | 6 | X     | STK  |

To order per full packaging.

Included: 2x HDKIPE, 2x bolt HDB10.30, 2x nut HDM10 and 2x HDRO10.

