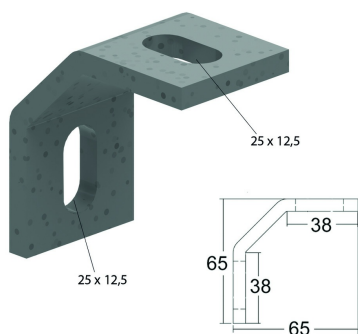


# HDWVPIPE

## Bolted bracket



Standard finish		Hot-dip galvanised							
Optional finish PE		Duplex system							
HD	Reference	↕ mm	↔ mm	↔  ↔ mm	↔↔ mm	kg/stk	📦	Stock	Unit
-	<b>HDWVPIPE</b>	65	65	6,5		0,190	10	X	STK

To order per full packaging.