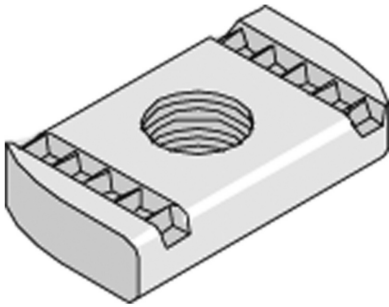


# PNP06-PNP12A

## Sliding nut for supporting profile



| Standard finish |                    | Pre-galvanised |         |            |         |        |     |       |      |
|-----------------|--------------------|----------------|---------|------------|---------|--------|-----|-------|------|
| HD              | Reference          | ↕<br>mm        | ↔<br>mm | →  ←<br>mm | ↔<br>mm | kg/stk | 📦   | Stock | Unit |
| -               | <b>PNP06ZP</b>     |                |         | M6         |         | 0,024  | 100 | X     | STK  |
| -               | <b>PNP08ZP</b>     |                |         | M8         |         | 0,034  | 100 | X     | STK  |
| -               | <b>PNP10ZP</b>     |                |         | M10        |         | 0,035  | 100 | X     | STK  |
| -               | <b>PNP12ZP</b>     |                |         | M12        |         | 0,046  | 100 | X     | STK  |
| -               | <b>PNP12AZP</b>    |                |         | M12        |         | 0,036  | 100 | X     | STK  |
| -               | <b>PNP06DINHG</b>  |                |         | M6         |         | 0,031  | 100 | X     | STK  |
| -               | <b>PNP08DINHG</b>  |                |         | M8         |         | 0,034  | 100 | X     | STK  |
| -               | <b>PNP10DINHG</b>  |                |         | M10        |         | 0,038  | 100 | X     | STK  |
| -               | <b>PNP12DINHG</b>  |                |         | M12        |         | 0,046  | 100 | X     | STK  |
| -               | <b>PNP12ADINHG</b> |                |         | M12        |         | 0,034  | 100 | X     | STK  |
| -               | <b>PNP10DF</b>     |                |         | M10        |         | 0,035  | 100 |       | STK  |
| -               | <b>PNP12DF</b>     |                |         | M12        |         | 0,050  | 100 |       | STK  |
| -               | <b>PNP12ADF</b>    |                |         | M12        |         | 0,038  | 100 |       | STK  |

Applicable for 41x21 profile

To order per full packaging.  
Dimensions comply with ISO965-2.