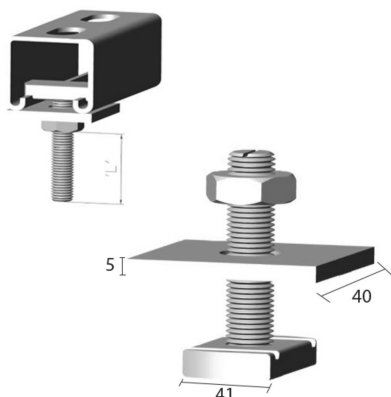


# SN

## Sliding nut for supporting profile



Standard finish		Pre-galvanised							
HD	Reference	↕ mm	↔ mm	↔ mm	↔ mm	kg/stk	📦	Stock	Unit
-	<b>M6X30SN</b>		35			0,068	100		STK
-	<b>M8X30SN</b>		35			0,081	100		STK
-	<b>M8X40SN</b>		35			0,084	100		STK
-	<b>M8X50SN</b>		35			0,087	100		STK
-	<b>M8X60SN</b>		35			0,090	100		STK
-	<b>M8X75SN</b>		35			0,095	100		STK
-	<b>M8X100SN</b>		35			0,103	100		STK
-	<b>M10X30SN</b>		35			0,097	100		STK
-	<b>M10X40SN</b>		35			0,102	100		STK
-	<b>M10X50SN</b>		35			0,107	100		STK
-	<b>M10X60SN</b>		35			0,112	100		STK
-	<b>M10X75SN</b>		35			0,120	100		STK
-	<b>M10X100SN</b>		35			0,132	100		STK
-	<b>M12X30SN</b>		35			0,117	100		STK
-	<b>M12X40SN</b>		35			0,124	100		STK
-	<b>M12X50SN</b>		35			0,131	100		STK
-	<b>M12X60SN</b>		35			0,139	100		STK
-	<b>M12X75SN</b>		35			0,150	100		STK
-	<b>M12X100SN</b>		35			0,168	25		STK
-	<b>M16X63SN</b>		35			0,120	100		STK
-	<b>M16X102SN</b>		35			0,170	50		STK

To order per full packaging.