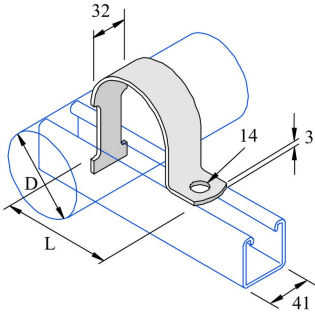


# SS2A - SS2N

## SS2 Pipe Clamp

Standard finish

Hot-dip galvanised



HD	Reference	L mm	A mm	g mm	↔ mm	D mm	kg/stk	📦	Stock	Unit
-	<b>SS2/AH</b>	66	32		66	15 - 21	0,062	20		STK
-	<b>SS2/BH</b>	73	32		73	20 - 27	0,071	20		STK
-	<b>SS2/CH</b>	81	32		81	25 - 34	0,086	20		STK
-	<b>SS2/DH</b>	90	32		90	32 - 43	0,104	20		STK
-	<b>SS2/EH</b>	96	32		96	40 - 48	0,115	10		STK
-	<b>SS2/FH</b>	96	32		96	50 - 60	0,140	10		STK
-	<b>SS2/GH</b>	113	32		113	65 - 76	0,172	10		STK
-	<b>SS2/HH</b>	125	32		125	80 - 90	0,199	10		STK
-	<b>SS2/JH</b>	137	32		137	90 - 102	0,224	10		STK
-	<b>SS2/KH</b>	150	32		150	100 - 115	0,251	10		STK
-	<b>SS2/MH</b>	204	32		204	150 - 168	0,357	10		STK
-	<b>SS2/NH</b>	255	32		255	200 - 220	0,461	10		STK

To order per full packaging.

Abbreviation:

- HG = Hot-Dip Galvanised